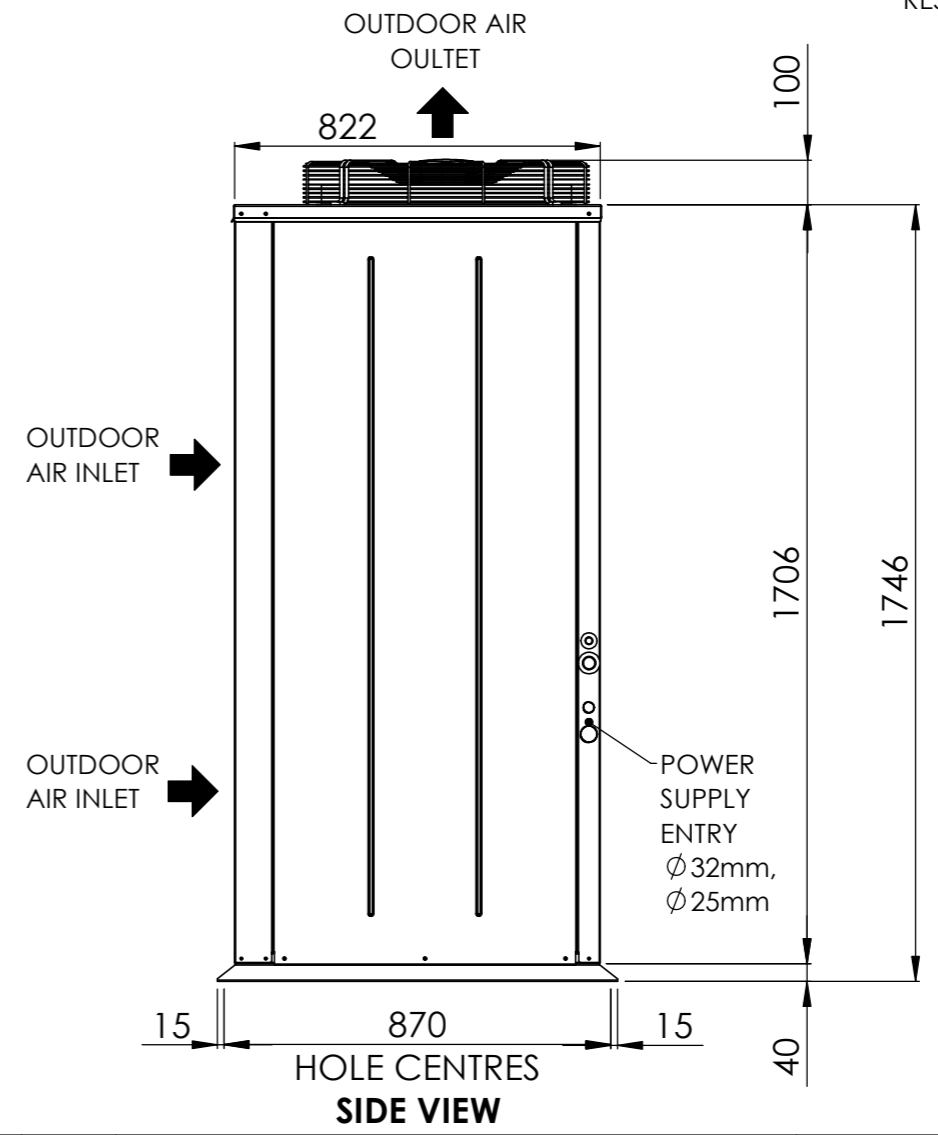
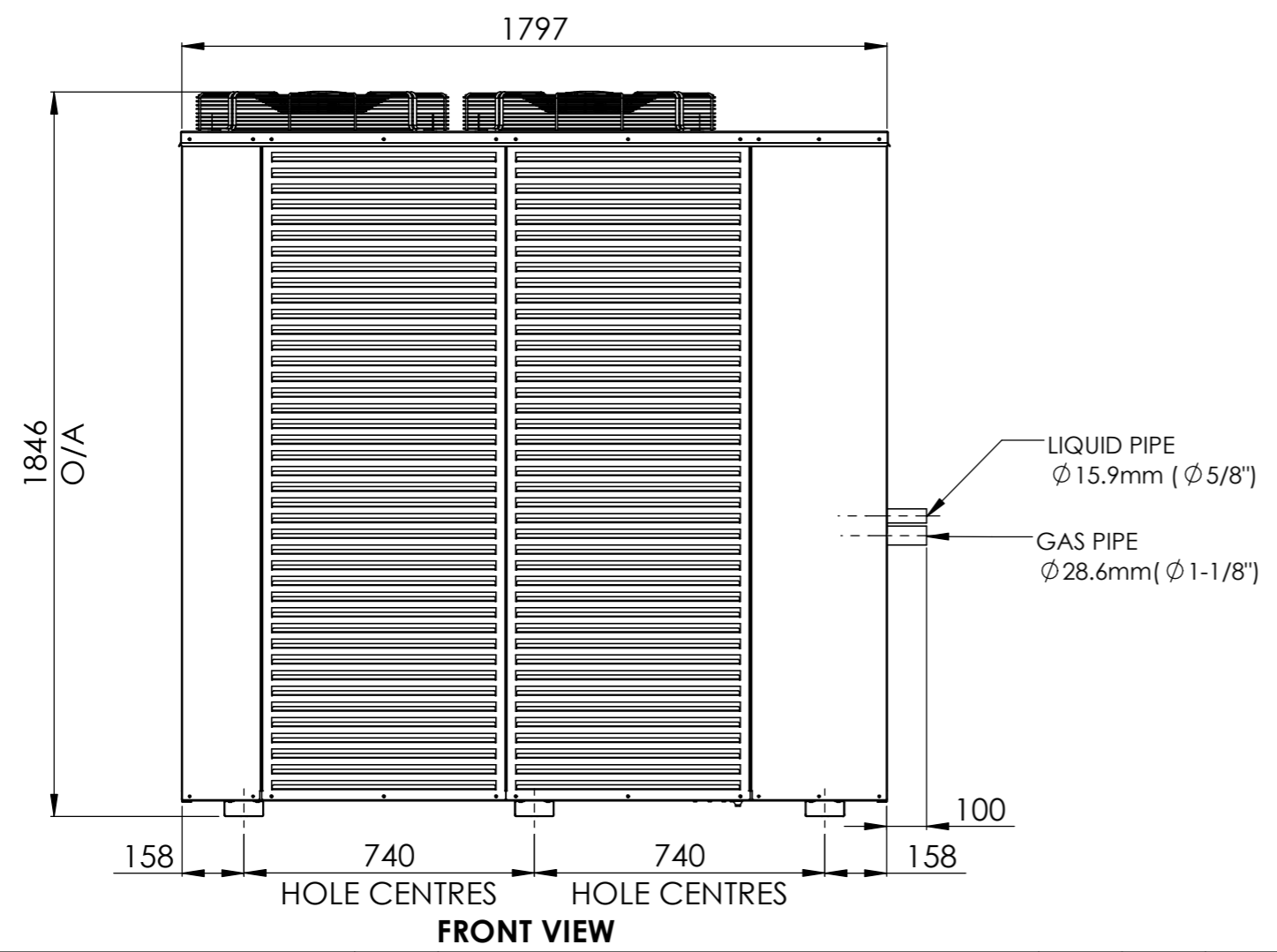
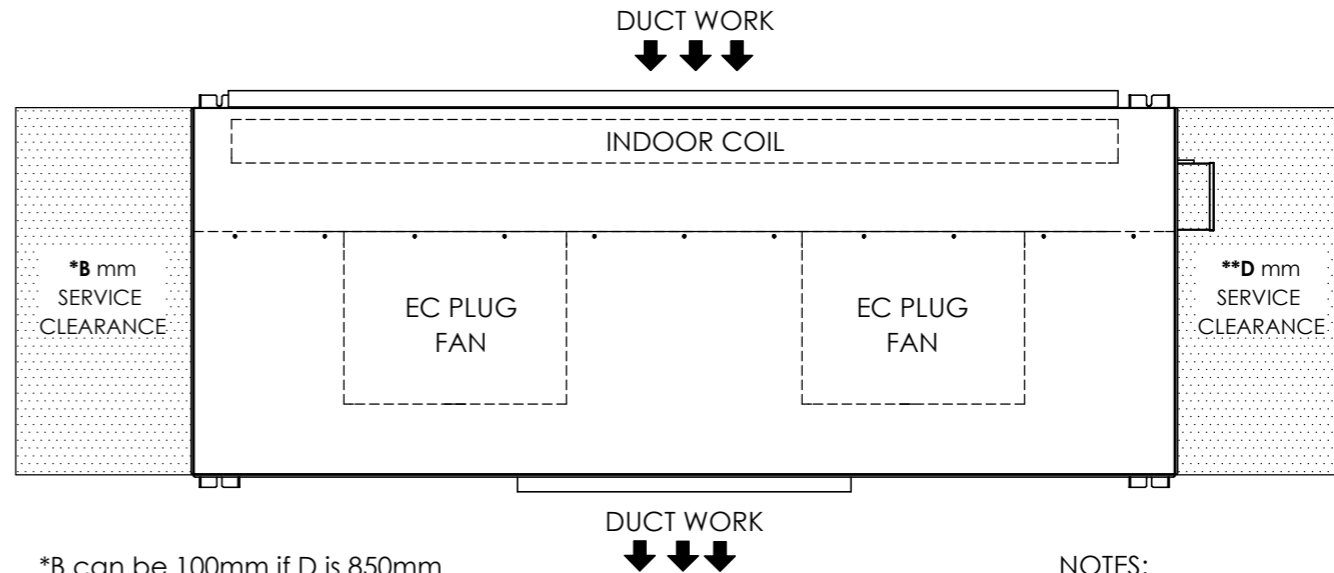
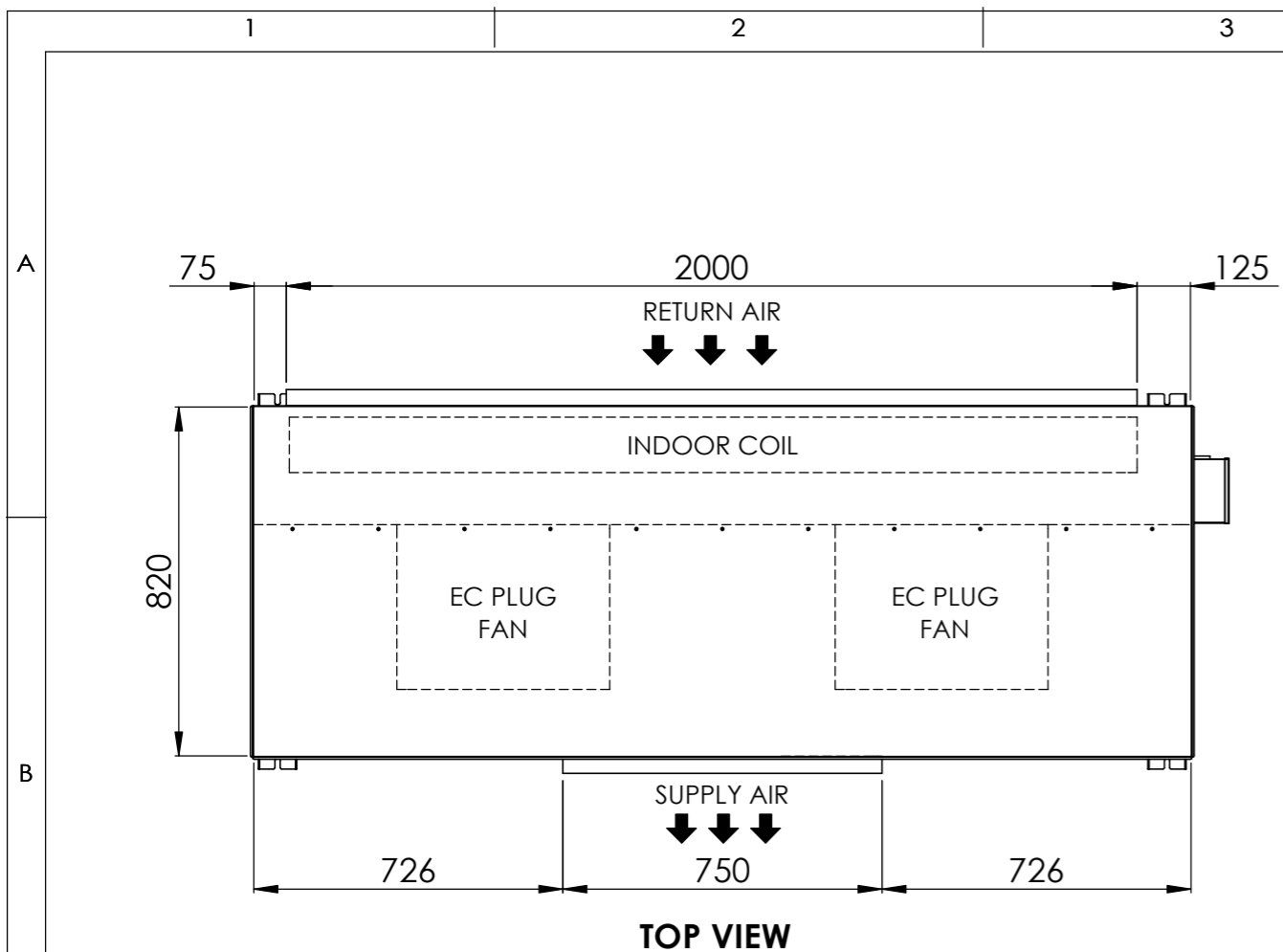


- NOTES:
1. OVERALL NOMINAL DIMENSION 1846(H) x 1897(W) x 900(L).
 2. MAX. M12 FASTENERS.
 3. MINIMUM SERVICE AREAS ARE RESPONSIBILITIES OF THE INSTALLER.



DESCRIPTION : GENERAL ARRANGEMENT, S043-048OVR3SA-L-S, S042-046OVC3SA-L-S					DRAWING No. : GAD000826		REV : A		
MATERIAL : -		THICKNESS : -	FINISH : -		SCALE : N.T.S		THIRD ANGLE PROJECTION		
DRAWN BY : RZL		DRAWN DATE : 19/07/22		APPROVED BY : CM		SHEET : 1 OF 1			
TOLERANCE : 0 < LENGTH ≤ 400 ± 1mm 400 < LENGTH ≤ 1000 ± 2mm 1000 < LENGTH ± 3mm ANGLE ± 1°		NOTE : LENGTHS IN MILLIMETRES AND ANGLES IN DEGREES UNLESS SPECIFIED OTHERWISE.		A		A3			
DUE TO CONTINUOUS IMPROVEMENT RINNAI RESERVE THE RIGHT TO CHANGE DETAILS WITHOUT NOTICE		THIS DRAWING IS THE PROPERTY OF APAC. ANY UNAUTHORISED USE IS FORBIDDEN.		REV	DESCRIPTION	PCN	BY	DATE	ZONE

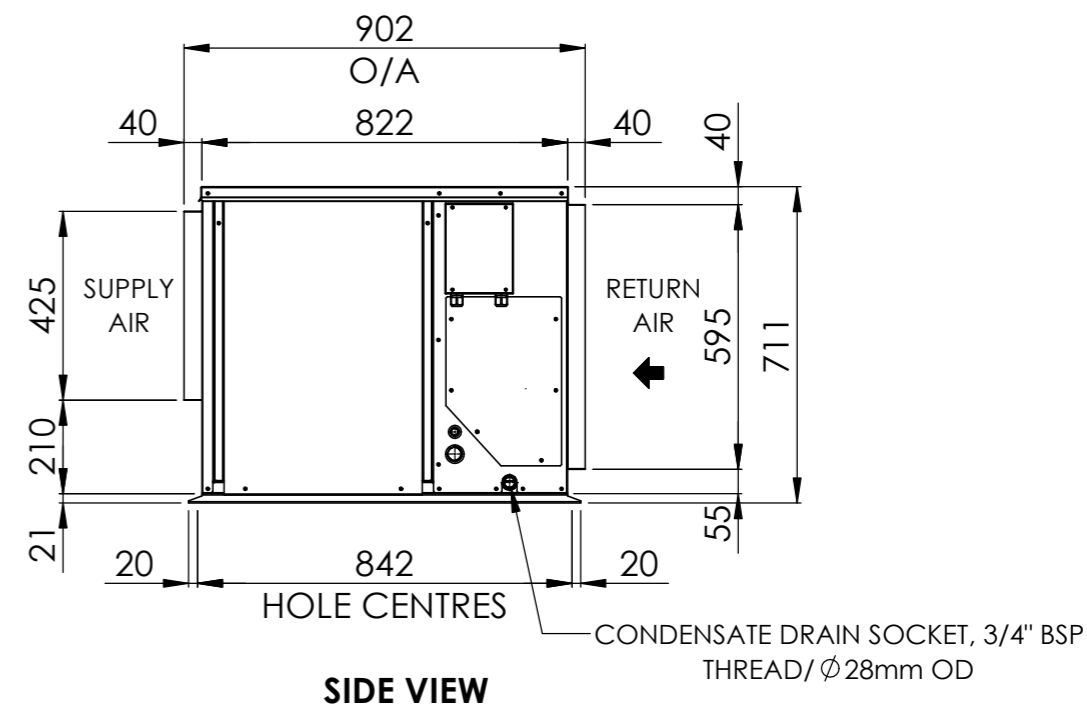
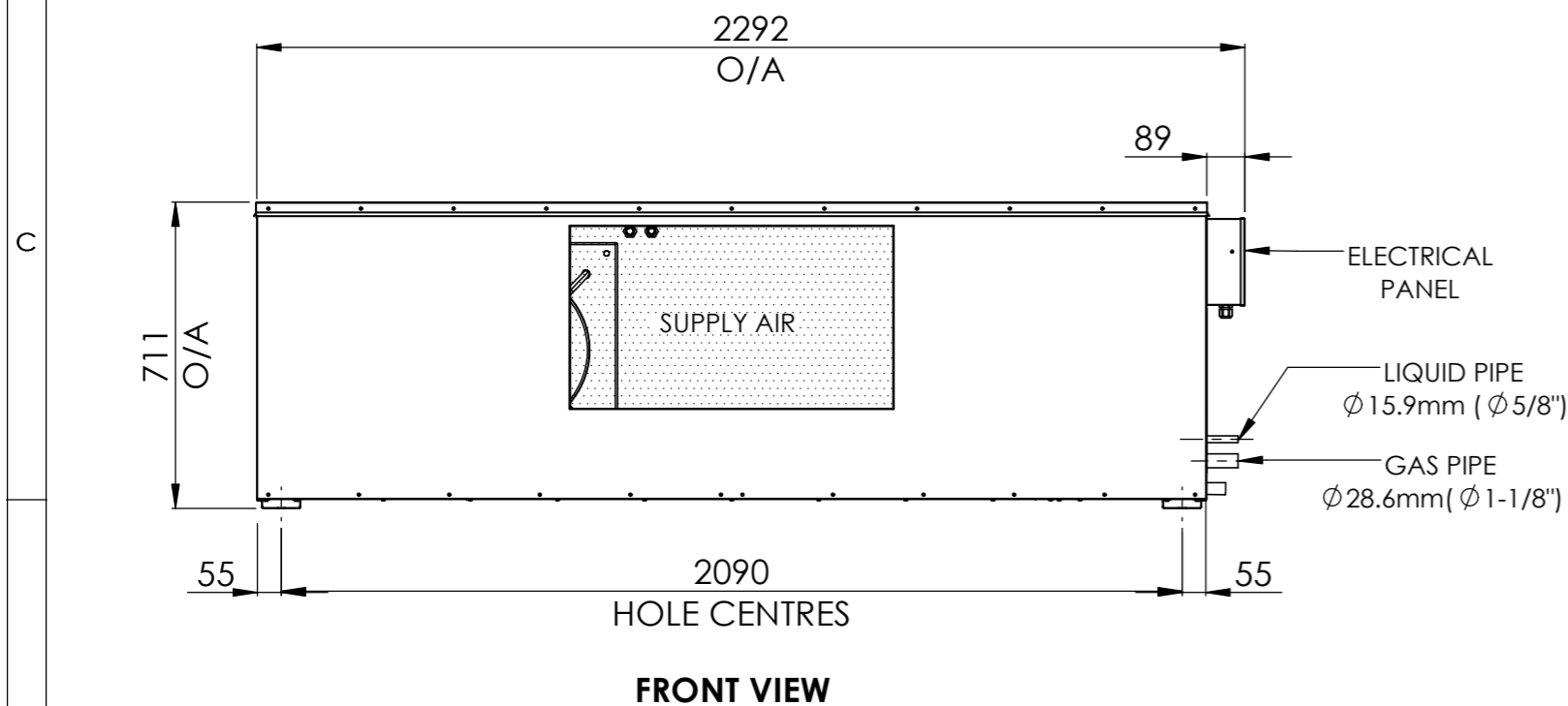
A	FIRST ISSUE		RZL	19/07/22	
REV	DESCRIPTION	PCN	BY	DATE	ZONE



*B can be 100mm if D is 850mm
 **D can be 600mm if B is 850mm
 HEIGHT CLEARANCE = 340mm

- NOTES:**
- OVERALL NOMINAL DIMENSION 711(H) x 2292(W) x 902(L).
 - USE M10 STUD BOLT FOR HANGER MOUNTING.
 - DUCTING SPECIFICATIONS: SUPPLY DUCT= 425(H) x 750(W) RETURN DUCT= 595(H) x 2000(W)
 - MINIMUM SERVICE AREAS ARE RESPONSIBILITIES OF THE INSTALLER.

MINIMUM SERVICE ACCESS AREAS & AIRFLOW CLEARANCES



						DESCRIPTION :	DRAWING No. :		REV :
						GENERAL ARRANGEMENT, S043-048ILR3SA-L-S, S042-046ILC3SA-L-S		GAD000869	
					MATERIAL :	THICKNESS :	FINISH :		
					DRAWN BY :	DRAWN DATE :	APPROVED BY :		SCALE : N.T.S
					HLM	03/08/22	CM		SHEET : 1 OF 1
<p>TOLERANCE : 0 < LENGTH ≤ 400 ± 1mm 400 < LENGTH ≤ 1000 ± 2mm 1000 < LENGTH ≤ 3mm ANGLE ± 1°</p> <p>NOTE : LENGTHS IN MILLIMETRES AND ANGLES IN DEGREES UNLESS SPECIFIED OTHERWISE.</p>					<p>THIS DRAWING IS THE PROPERTY OF APAC. ANY UNAUTHORISED USE IS FORBIDDEN.</p>		<p>THIRD ANGLE PROJECTION</p>		A3
REV	A	FIRST ISSUE	PCN	BY	DATE	ZONE			

TECHNICAL DATA SHEET

MODEL NUMBER	Indoor	S027ILC3SA-F-S	S032ILC3SA-F-S	S038ILC3SA-F-S	S043ILC3SA-F-S	S048ILC3SA-F-S	
	Outdoor	S027OVC3SA-L-S	S032OVC3SA-L-S	S038OVC3SA-L-S	S043OVC3SA-L-S	S048OVC3SA-L-S	
OUTDOOR SECTION	CAPACITY						
	Cooling	kW TOTAL*	28.65	33.25	39.42	45.97	47.18
		kW SENSIBLE*	21.60	25.88	29.76	33.69	35.97
		EER (kW / ikW)*	3.34	3.22	3.23	3.23	3.04
	CAPACITY STEPS (%)		0/100	0/100	0/50/100	0/50/100	0/50/100
	COMPRESSOR						
	TYPE		SCROLL	SCROLL	SCROLL	SCROLL	SCROLL
	STARTER TYPE		D.O.L (Opt Soft/Start)	D.O.L (Opt Soft/Start)	D.O.L (Opt Soft/Start)	D.O.L (Opt Soft/Start)	D.O.L (Opt Soft/Start)
	PHASE		3Ø	3Ø	3Ø	3Ø	3Ø
	No. OFF		1	1	1	1	1
	PROTECTION DEVICES HP SWITCH, LP SWITCH, INTERNAL THERMAL CUTOUT						
	ALL COMPRESSORS HAVE SUMP HEATER						
	FAN						
	TYPE		AXIAL	AXIAL	AXIAL	AXIAL	AXIAL
	iKW (MAX INPUT)		0.39	0.39	0.39	0.39	0.39
	PHASE		1Ø	1Ø	1Ø	1Ø	1Ø
	No. OFF		2	2	2	2	2
	FAN SPEED CONTROL		2 SPEED VIA	2 SPEED VIA	2 SPEED VIA	2 SPEED VIA	2 SPEED VIA
	HEAT EXCHANGER						
	TYPE		ALU / CU COIL	ALU / CU COIL	ALU / CU COIL	ALU / CU COIL	ALU / CU COIL
	NOM. AIRFLOW l/s		-	-	-	-	-
	REFRIGERANT SYSTEM						
	TYPE		R410A				
	FACTORY CHARGE PER CIRCUIT (KG)		5.75	6.75	9.5	11	10.8
	No. OF CIRCUITS		1	1	1	1	1
REFRIGERANT CONTROL		TXV					
DIMENSIONS							
H X W X D (mm)		1440 x 1897 x 900	1643 x 1897 x 900	1846 x 1897 x 900			
WEIGHT							
OPERATING KG		238	256	309	314	317	
SHIPPING KG		282	300	348	358	360	
ELECTRICAL							
POWER SUPPLY		415v / 3Ø / 50hz					
FLA / RLA (Amps)		26.5 / 17.4	25.2 / 20.2	33.6 / 22.1	35.2 / 24.9	37.6 / 28.3	
INDOOR SECTION	FAN						
	TYPE		EC PLUG	EC PLUG	EC PLUG	EC PLUG	EC PLUG
	iKW (MAX INPUT)		1.32	1.32	1.32	3.35	3.35
	PHASE		3Ø	3Ø	3Ø	3Ø	3Ø
	No. OFF		1	1	1	1	1
	FAN SPEED CONTROL		VARIABLE SPEED	VARIABLE SPEED	VARIABLE SPEED	VARIABLE SPEED	VARIABLE SPEED
	HEAT EXCHANGER						
	TYPE		ALU / CU COIL	ALU / CU COIL	ALU / CU COIL	ALU / CU COIL	ALU / CU COIL
	NOM. AIRFLOW l/s		1450	1775	1875	2200	2470
	EXT STATIC pa		100				
	DIMENSIONS						
	H X W X D (mm)		711 x 1413 x 902	711 x 1594 x 902	711 x 2292 x 902		
	WEIGHT						
	OPERATING KG		117	125	133	160	160
	SHIPPING KG		166	174	181	210	210
ELECTRICAL							
POWER SUPPLY		415v / 3Ø / 50hz					
FLA / RLA (Amps)		2.1 / 1.0	2.1 / 1.4	2.1 / 1.5	5.2 / 1.9	5.2 / 2.4	
COMBINED SECTIONS	ELECTRICAL						
	H.P. CUT OUT / IN kPa		4500 / 3450	4500 / 3450	4500 / 3450	4500 / 3450	4500 / 3450
	L.P. CUT OUT / IN kPa		175 / 345	175 / 345	175 / 345	175 / 345	175 / 345
	NOM. R.L.A. (TOTAL SYSTEM)		18.39	21.50	23.56	26.83	30.70
	MAX. F.L.A. (TOTAL SYSTEM)		28.62	27.26	35.66	38.76	41.16
	GENERAL						
	CABINET		GALVANISED SHEET STEEL				
	INSULATION		25MM ALUMINIUM FOIL FACED POLYETHYLENE ACOUSTIC INSULATION				
	EXTERNAL FINISH		POLYESTER POWDER COAT (OUTDOOR SECTION) - COLOUR LIGHT GREY AS STANDARD - OPTIONS AVAILABLE NO COATING FOR INDOOR SECTION				
	INDOOR AND OUTDOOR PIPE CONNECTION						
	LIQUID mm (inch)		12.7 (1/2")	12.7 (1/2")	12.7 (1/2")	15.9 (5/8")	15.9 (5/8")
	GAS mm (inch)		28.6 (1-1/8")	28.6 (1-1/8")	28.6 (1-1/8")	28.6 (1-1/8")	28.6 (1-1/8")
ADDITIONAL REFRIGERATION CHARGE AND FIELD PIPING CONNECTIONS							
REFER TO INSTALLATION AND OPERATION MANUAL							
NOISE LEVELS [Based on condenser fan's sound data]							
SOUND POWER db(A)		67.1	67.5	66.9	67.2	67.2	

Note: Rated in accordance with AHRI 210/240 or 340/360

Performance excludes iKW of indoor fan motor

R.L.A - Run Load Amps are based on current drawn at nominal conditions

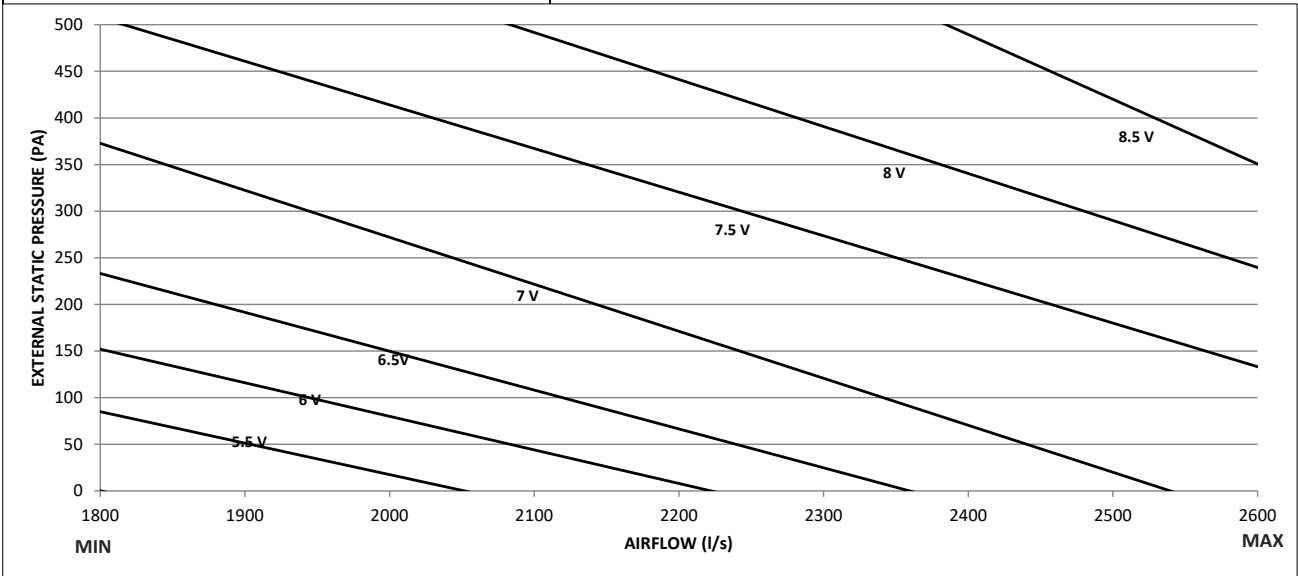
F.L.A - Full Load Amps are based on the overload settings [Max Current] of all Compressor and Fan Motor(s)

Date	Document #	Approved By	Revision
30/1/23	TDS001177	CM	A

NOTE: Due to continuous improvement Rinnai reserve the right to change details without notice.

FAN PERFORMANCE CURVE

S042-043ILR(C)3SA-F-S



Note:

1. 4V, 4.5V, 5V, 5.5V, 6V, 6.5 V, 7V and 7.5 V represents potentiometer voltage. Potentiometer can be adjusted to achieve desired flowrates.
2. Potentiometer voltage can be varied infinitely between 0 to 10V.

Date	Document #	Approved By	Revision
17/5/23	FPD001300	CM	A

NOTE: Due to continuous improvement Rinnai reserve the right to change details without notice.



**HIGH EFFICIENCY
SPLIT OUTDOOR / INDOOR LOW PROFILE
R410A REFRIGERANT**

SOUND DATA TABLE

MODEL NUMBER

S042-043OVR(C)3SA-L-S / S042-043ILR(C)3SA-F-S

Outdoor Fan

Sound Power Level dB(A)	Octave band Centre Frequency (hz), dB						
	125	250	500	1k	2k	4k	8k
67.2	73.3	62.6	62.7	62.6	60.2	54.1	50.4

Indoor Fan

Sound Power Level dB(A)	Air Flow (l/s)	Octave band Centre Frequency (hz), dB						
		125	250	500	1k	2k	4k	8k
87.7	2200	71.8	76.4	79.7	83	79.7	81.7	75.7

Date	Document #	Approved By	Revision
16/5/23	SDT001295	CM	A

NOTE: Due to continuous improvement Rinnai reserve the right to change details without notice.