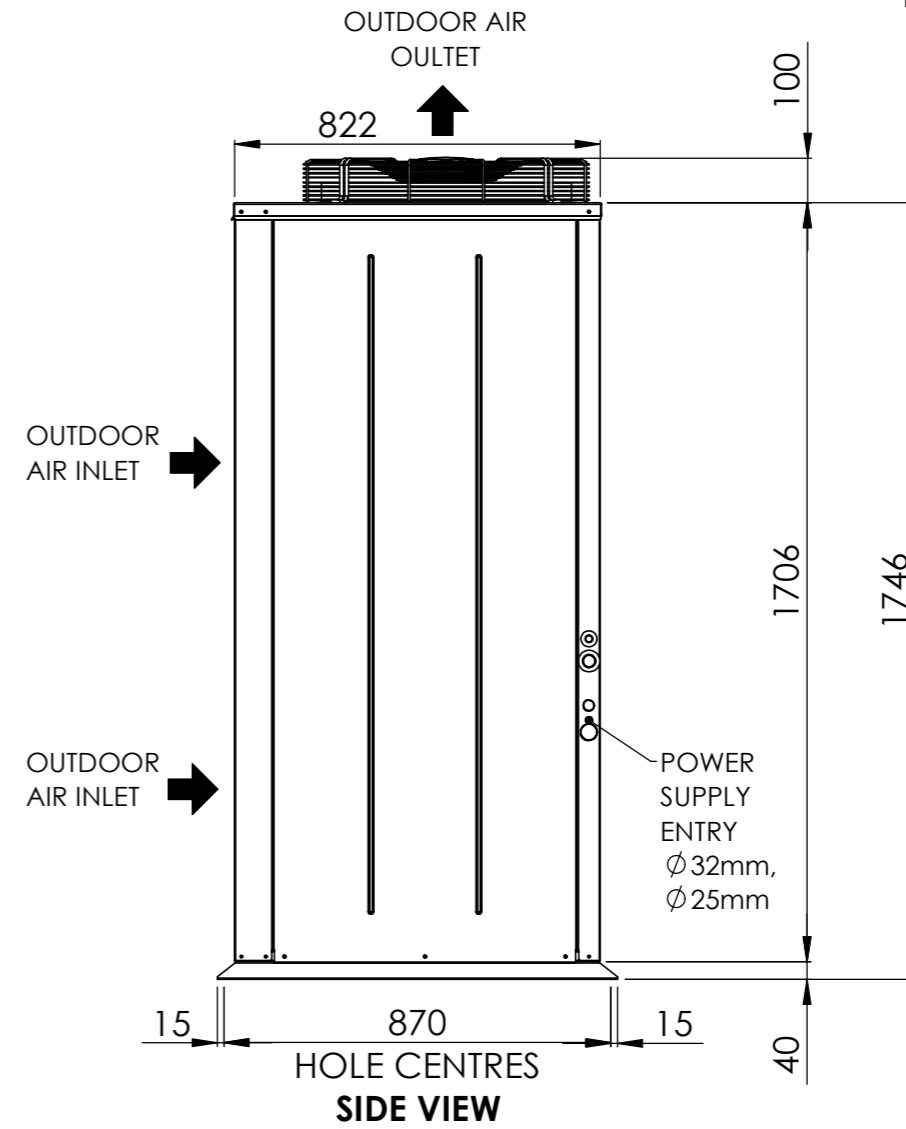
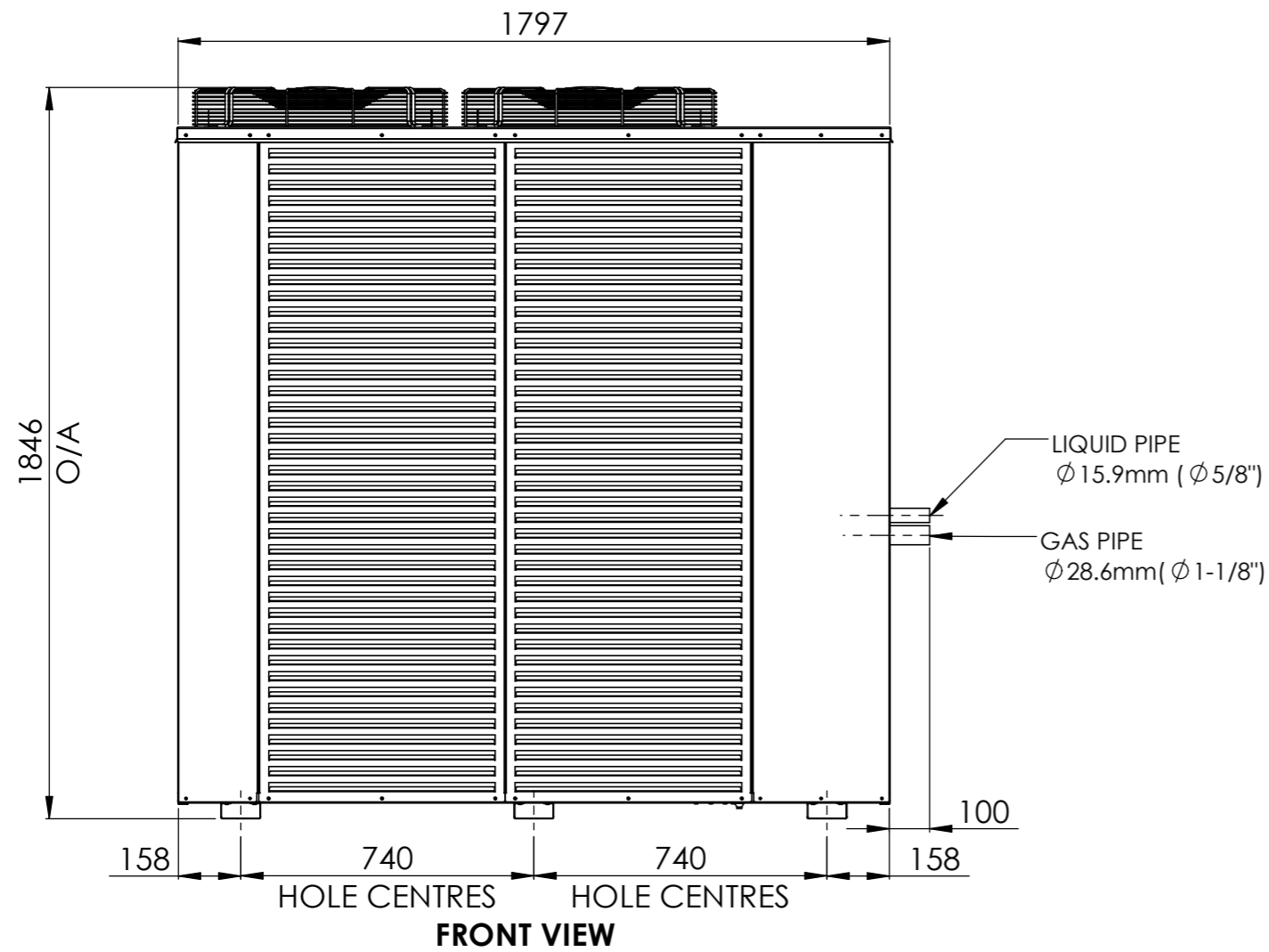


- NOTES:
1. OVERALL NOMINAL DIMENSION 1846(H) x 1897(W) x 900(L).
 2. MAX. M12 FASTENERS.
 3. MINIMUM SERVICE AREAS ARE RESPONSIBILITIES OF THE INSTALLER.

MINIMUM SERVICE ACCESS AREAS & AIRFLOW CLEARANCES



DESCRIPTION :
GENERAL ARRANGEMENT,
S043-048OVR3SA-L-S, S042-046OVC3SA-L-S

DRAWING No. :
GAD000826

REV :
A

TOLERANCE :
0 < LENGTH ≤ 400 ± 1mm
400 < LENGTH ≤ 1000 ± 2mm
1000 < LENGTH ± 3mm ANGLE ± 1°
DUE TO CONTINUOUS IMPROVEMENT
RINNAI RESERVE THE RIGHT TO CHANGE
DETAILS WITHOUT NOTICE

NOTE :
LENGTHS IN MILLIMETRES AND
ANGLES IN DEGREES UNLESS
SPECIFIED OTHERWISE.
THIS DRAWING IS THE PROPERTY OF
APAC. ANY UNAUTHORISED USE IS
FORBIDDEN.

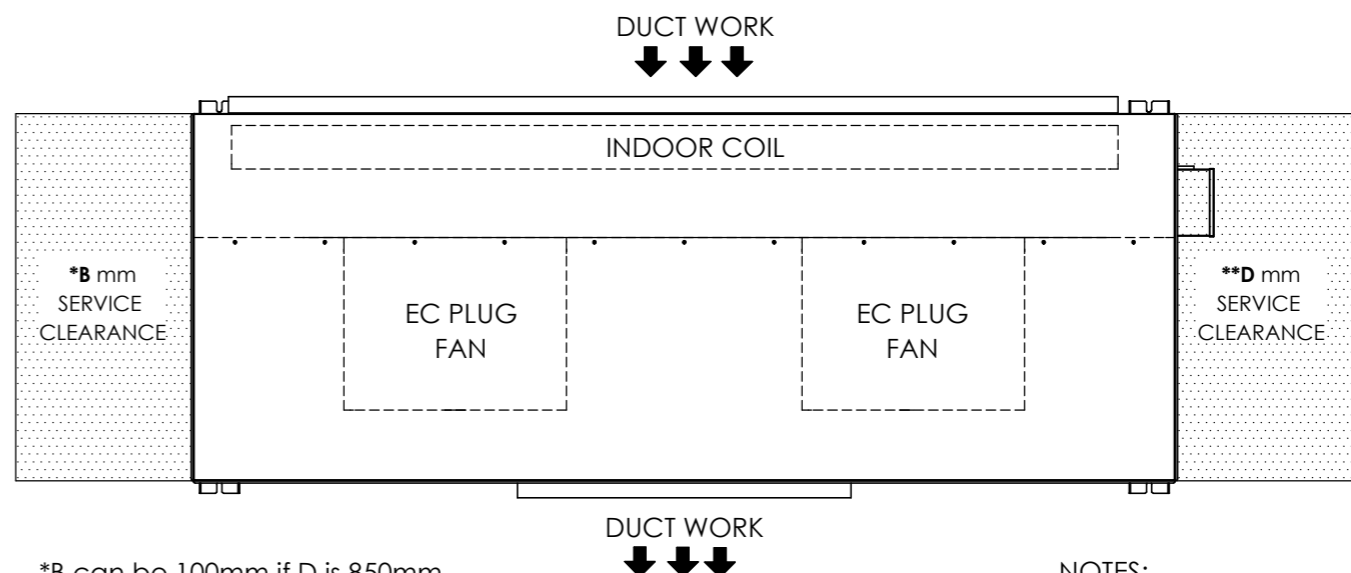
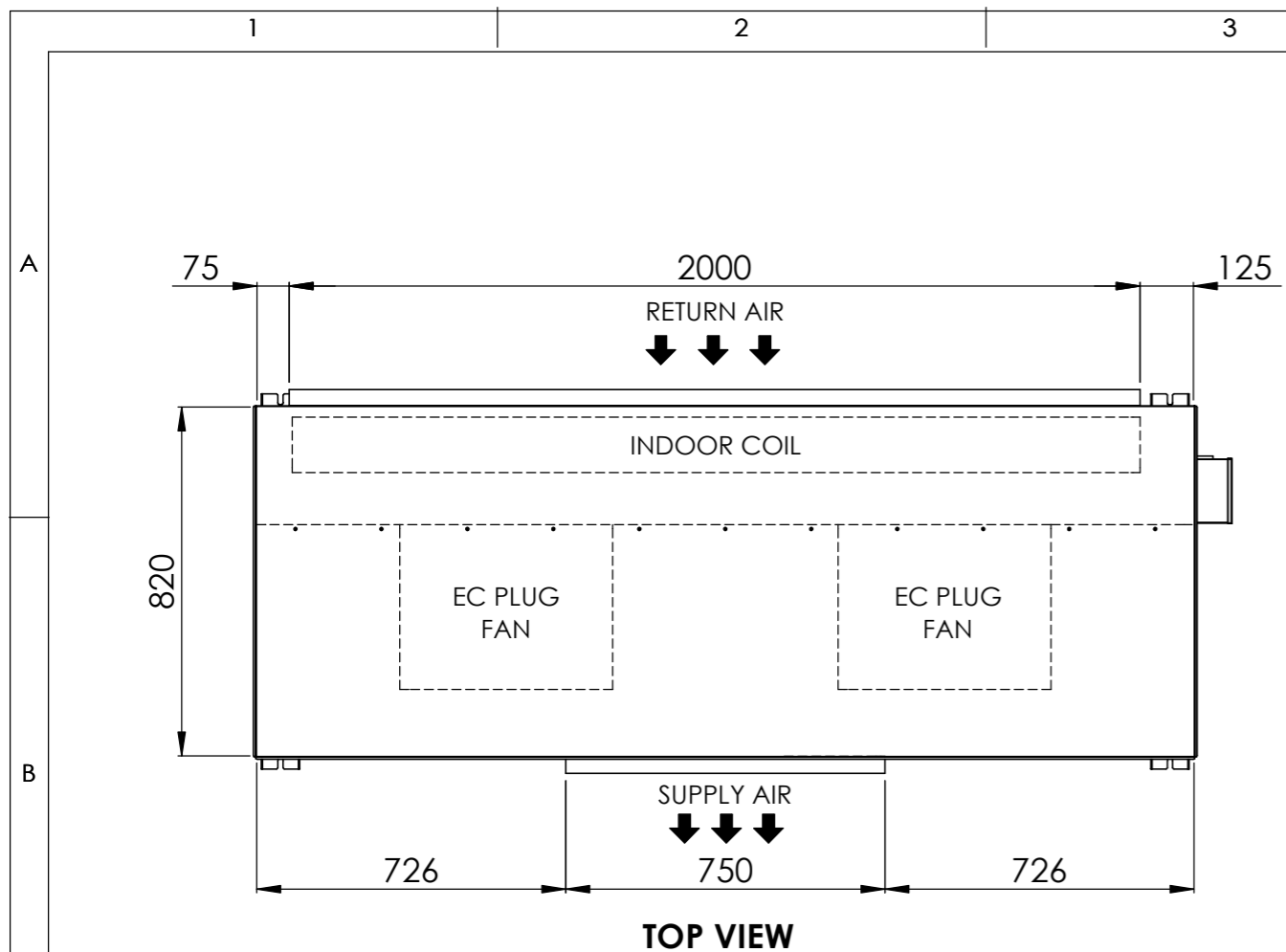
| | | | | | |
|-----|-------------|-----|-----|----------|------|
| A | FIRST ISSUE | | RZL | 19/07/22 | |
| REV | DESCRIPTION | PCN | BY | DATE | ZONE |

| | | |
|------------|--------------|---------------|
| MATERIAL : | THICKNESS : | FINISH : |
| - | - | - |
| DRAWN BY : | DRAWN DATE : | APPROVED BY : |
| RZL | 19/07/22 | CM |

SCALE : N.T.S.
SHEET : 1 OF 1

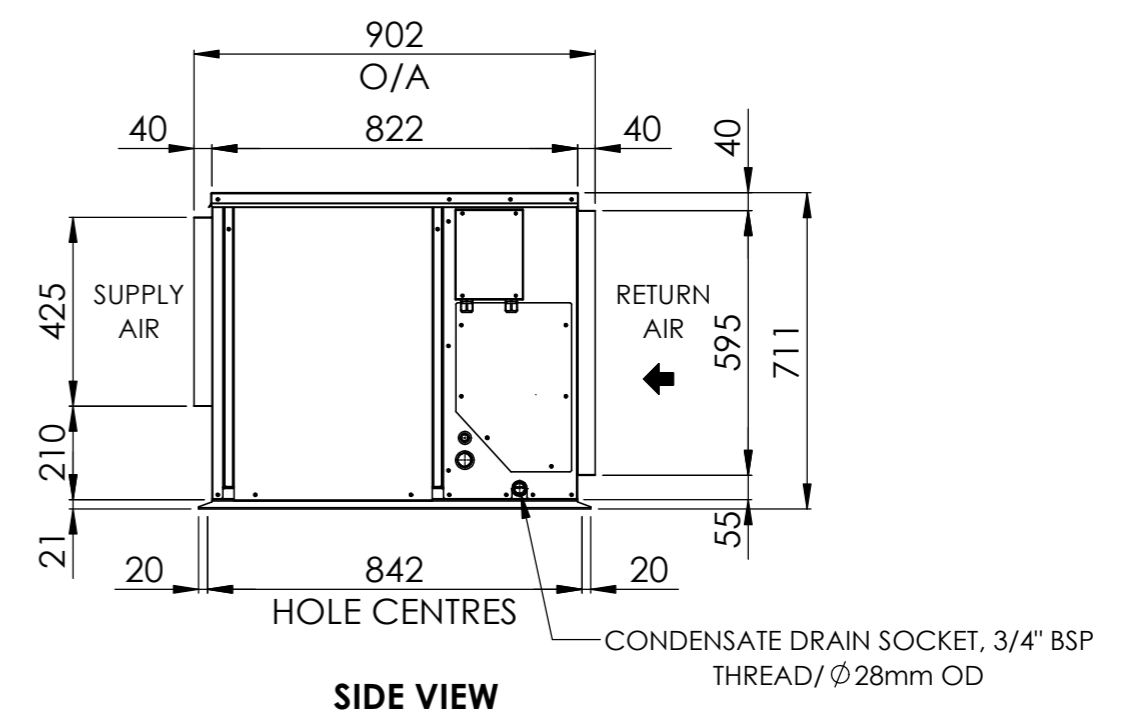
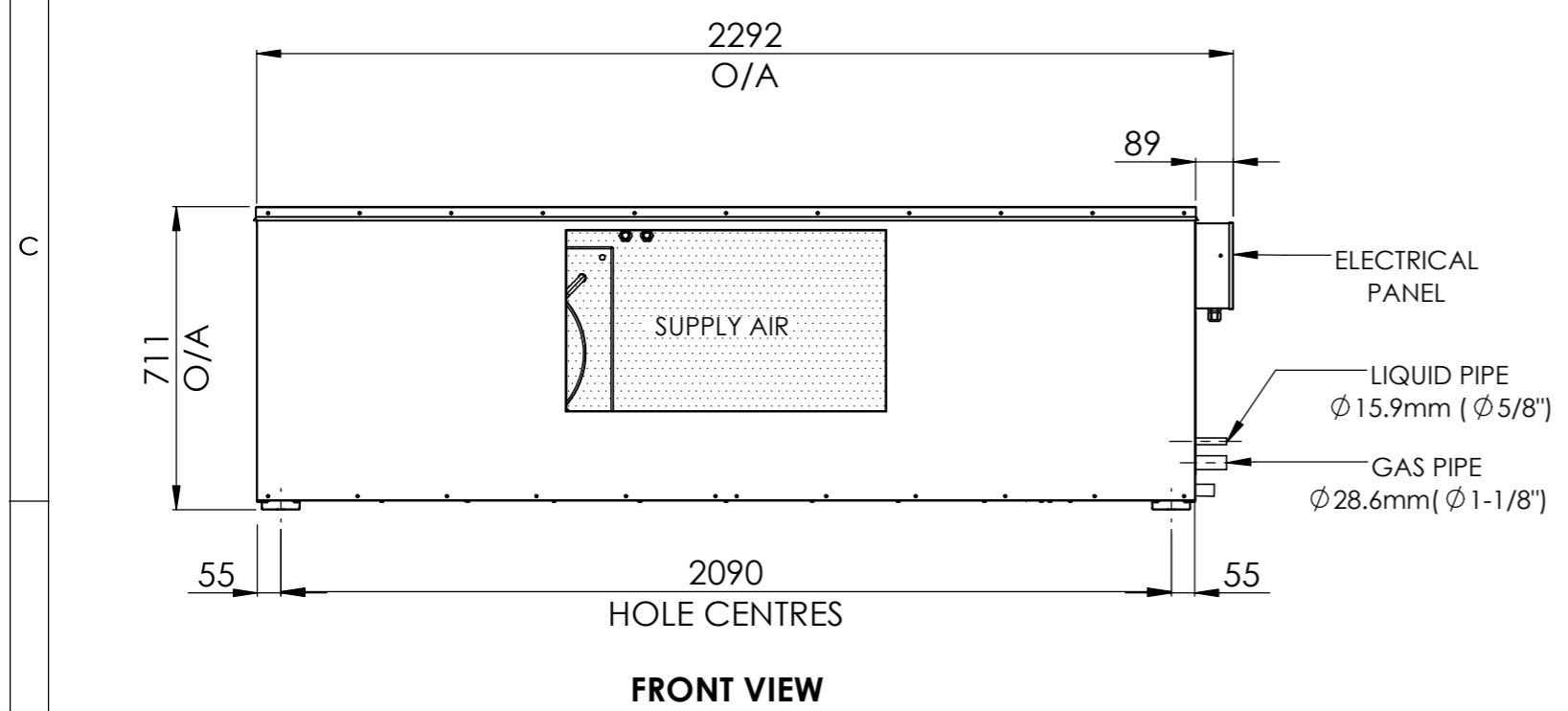


A3



*B can be 100mm if D is 850mm
 **D can be 600mm if B is 850mm
 HEIGHT CLEARANCE = 340mm

- NOTES:**
- OVERALL NOMINAL DIMENSION 711(H) x 2292(W) x 902(L).
 - USE M10 STUD BOLT FOR HANGER MOUNTING.
 - DUCTING SPECIFICATIONS: SUPPLY DUCT= 425(H) x 750(W) RETURN DUCT= 595(H) x 2000(W)
 - MINIMUM SERVICE AREAS ARE RESPONSIBILITIES OF THE INSTALLER.



| | | | | | | | | | | | | |
|---|--|--|--|--|------------|--|---------------|-----------|----------------|------|------------------------|----|
| | | | | | | DESCRIPTION : | DRAWING No. : | | REV : | | | |
| | | | | | | GENERAL ARRANGEMENT, S043-048ILR3SA-L-S, S042-046ILC3SA-L-S | | GAD000869 | | A | | |
| | | | | | MATERIAL : | THICKNESS : | FINISH : | | | | | |
| | | | | | DRAWN BY : | DRAWN DATE : | APPROVED BY : | | SCALE : N.T.S | | | |
| | | | | | HLM | 03/08/22 | CM | | SHEET : 1 OF 1 | | | |
| <p>TOLERANCE : 0 < LENGTH ≤ 400 ± 1mm 400 < LENGTH ≤ 1000 ± 2mm 1000 < LENGTH ≤ 3mm ANGLE ± 1°</p> <p>NOTE : LENGTHS IN MILLIMETRES AND ANGLES IN DEGREES UNLESS SPECIFIED OTHERWISE.</p> <p>DUE TO CONTINUOUS IMPROVEMENT RINNAI RESERVE THE RIGHT TO CHANGE DETAILS WITHOUT NOTICE</p> <p>THIS DRAWING IS THE PROPERTY OF APAC. ANY UNAUTHORISED USE IS FORBIDDEN.</p> | | | | | REV | FIRST ISSUE | PCN | BY | DATE | ZONE | THIRD ANGLE PROJECTION | A3 |

TECHNICAL DATA SHEET

| MODEL NUMBER | | Indoor | S027ILC3SA-F-S | S032ILC3SA-F-S | S038ILC3SA-F-S | S043ILC3SA-F-S | S048ILC3SA-F-S |
|---|---|-------------------|--|------------------------|------------------------|------------------------|------------------------|
| | | Outdoor | S027OVC3SA-L-S | S032OVC3SA-L-S | S038OVC3SA-L-S | S043OVC3SA-L-S | S048OVC3SA-L-S |
| OUTDOOR SECTION | CAPACITY | | | | | | |
| | Cooling | kW TOTAL* | 28.65 | 33.25 | 39.42 | 45.97 | 47.18 |
| | | kW SENSIBLE* | 21.60 | 25.88 | 29.76 | 33.69 | 35.97 |
| | | EER (kW / ikW)* | 3.34 | 3.22 | 3.23 | 3.23 | 3.04 |
| | CAPACITY STEPS (%) | | 0/100 | 0/100 | 0/50/100 | 0/50/100 | 0/50/100 |
| | COMPRESSOR | | | | | | |
| | TYPE | | SCROLL | SCROLL | SCROLL | SCROLL | SCROLL |
| | STARTER TYPE | | D.O.L (Opt Soft/Start) | D.O.L (Opt Soft/Start) | D.O.L (Opt Soft/Start) | D.O.L (Opt Soft/Start) | D.O.L (Opt Soft/Start) |
| | PHASE | | 3Ø | 3Ø | 3Ø | 3Ø | 3Ø |
| | No. OFF | | 1 | 1 | 1 | 1 | 1 |
| | PROTECTION DEVICES | | HP SWITCH, LP SWITCH, INTERNAL THERMAL CUTOUT | | | | |
| | ALL COMPRESSORS HAVE | | SUMP HEATER | | | | |
| | FAN | | | | | | |
| | TYPE | | AXIAL | AXIAL | AXIAL | AXIAL | AXIAL |
| | iKW (MAX INPUT) | | 0.39 | 0.39 | 0.39 | 0.39 | 0.39 |
| | PHASE | | 1Ø | 1Ø | 1Ø | 1Ø | 1Ø |
| | No. OFF | | 2 | 2 | 2 | 2 | 2 |
| | FAN SPEED CONTROL | | 2 SPEED VIA | 2 SPEED VIA | 2 SPEED VIA | 2 SPEED VIA | 2 SPEED VIA |
| | HEAT EXCHANGER | | | | | | |
| | TYPE | | ALU / CU COIL | ALU / CU COIL | ALU / CU COIL | ALU / CU COIL | ALU / CU COIL |
| NOM. AIRFLOW l/s | | - | - | - | - | - | |
| REFRIGERANT SYSTEM | | | | | | | |
| TYPE | | R410A | | | | | |
| FACTORY CHARGE PER CIRCUIT (KG) | | 5.75 | 6.75 | 9.5 | 11 | 10.8 | |
| No. OF CIRCUITS | | 1 | 1 | 1 | 1 | 1 | |
| REFRIGERANT CONTROL | | TXV | | | | | |
| DIMENSIONS | | | | | | | |
| H X W X D (mm) | | 1440 x 1897 x 900 | 1643 x 1897 x 900 | 1846 x 1897 x 900 | | | |
| WEIGHT | | | | | | | |
| OPERATING KG | | 238 | 256 | 309 | 314 | 317 | |
| SHIPPING KG | | 282 | 300 | 348 | 358 | 360 | |
| ELECTRICAL | | | | | | | |
| POWER SUPPLY | | 415v / 3Ø / 50hz | | | | | |
| FLA / RLA (Amps) | | 26.5 / 17.4 | 25.2 / 20.2 | 33.6 / 22.1 | 35.2 / 24.9 | 37.6 / 28.3 | |
| INDOOR SECTION | FAN | | | | | | |
| | TYPE | | EC PLUG | EC PLUG | EC PLUG | EC PLUG | EC PLUG |
| | iKW (MAX INPUT) | | 1.32 | 1.32 | 1.32 | 3.35 | 3.35 |
| | PHASE | | 3Ø | 3Ø | 3Ø | 3Ø | 3Ø |
| | No. OFF | | 1 | 1 | 1 | 1 | 1 |
| | FAN SPEED CONTROL | | VARIABLE SPEED | VARIABLE SPEED | VARIABLE SPEED | VARIABLE SPEED | VARIABLE SPEED |
| | HEAT EXCHANGER | | | | | | |
| | TYPE | | ALU / CU COIL | ALU / CU COIL | ALU / CU COIL | ALU / CU COIL | ALU / CU COIL |
| | NOM. AIRFLOW l/s | | 1450 | 1775 | 1875 | 2200 | 2470 |
| | EXT STATIC pa | | 100 | | | | |
| | DIMENSIONS | | | | | | |
| | H X W X D (mm) | | 711 x 1413 x 902 | 711 x 1594 x 902 | 711 x 2292 x 902 | | |
| WEIGHT | | | | | | | |
| OPERATING KG | | 117 | 125 | 133 | 160 | 160 | |
| SHIPPING KG | | 166 | 174 | 181 | 210 | 210 | |
| ELECTRICAL | | | | | | | |
| POWER SUPPLY | | 415v / 3Ø / 50hz | | | | | |
| FLA / RLA (Amps) | | 2.1 / 1.0 | 2.1 / 1.4 | 2.1 / 1.5 | 5.2 / 1.9 | 5.2 / 2.4 | |
| COMBINED SECTIONS | ELECTRICAL | | | | | | |
| | H.P. CUT OUT / IN kPa | | 4500 / 3450 | 4500 / 3450 | 4500 / 3450 | 4500 / 3450 | 4500 / 3450 |
| | L.P. CUT OUT / IN kPa | | 175 / 345 | 175 / 345 | 175 / 345 | 175 / 345 | 175 / 345 |
| | NOM. R.L.A. (TOTAL SYSTEM) | | 18.39 | 21.50 | 23.56 | 26.83 | 30.70 |
| | MAX. F.L.A. (TOTAL SYSTEM) | | 28.62 | 27.26 | 35.66 | 38.76 | 41.16 |
| | GENERAL | | | | | | |
| | CABINET | | GALVANISED SHEET STEEL | | | | |
| | INSULATION | | 25MM ALUMINIUM FOIL FACED POLYETHYLENE ACOUSTIC INSULATION | | | | |
| | EXTERNAL FINISH | | POLYESTER POWDER COAT (OUTDOOR SECTION) - COLOUR LIGHT GREY AS STANDARD - OPTIONS AVAILABLE NO COATING FOR INDOOR SECTION | | | | |
| | INDOOR AND OUTDOOR PIPE CONNECTION | | | | | | |
| LIQUID mm (inch) | | 12.7 (1/2") | 12.7 (1/2") | 12.7 (1/2") | 15.9 (5/8") | 15.9 (5/8") | |
| GAS mm (inch) | | 28.6 (1-1/8") | 28.6 (1-1/8") | 28.6 (1-1/8") | 28.6 (1-1/8") | 28.6 (1-1/8") | |
| ADDITIONAL REFRIGERATION CHARGE AND FIELD PIPING CONNECTIONS | | | | | | | |
| REFER TO INSTALLATION AND OPERATION MANUAL | | | | | | | |
| NOISE LEVELS [Based on condenser fan's sound data] | | | | | | | |
| SOUND POWER db(A) | | 67.1 | 67.5 | 66.9 | 67.2 | 67.2 | |

Note: Rated in accordance with AHRI 210/240 or 340/360

Performance excludes iKW of indoor fan motor

R.L.A - Run Load Amps are based on current drawn at nominal conditions

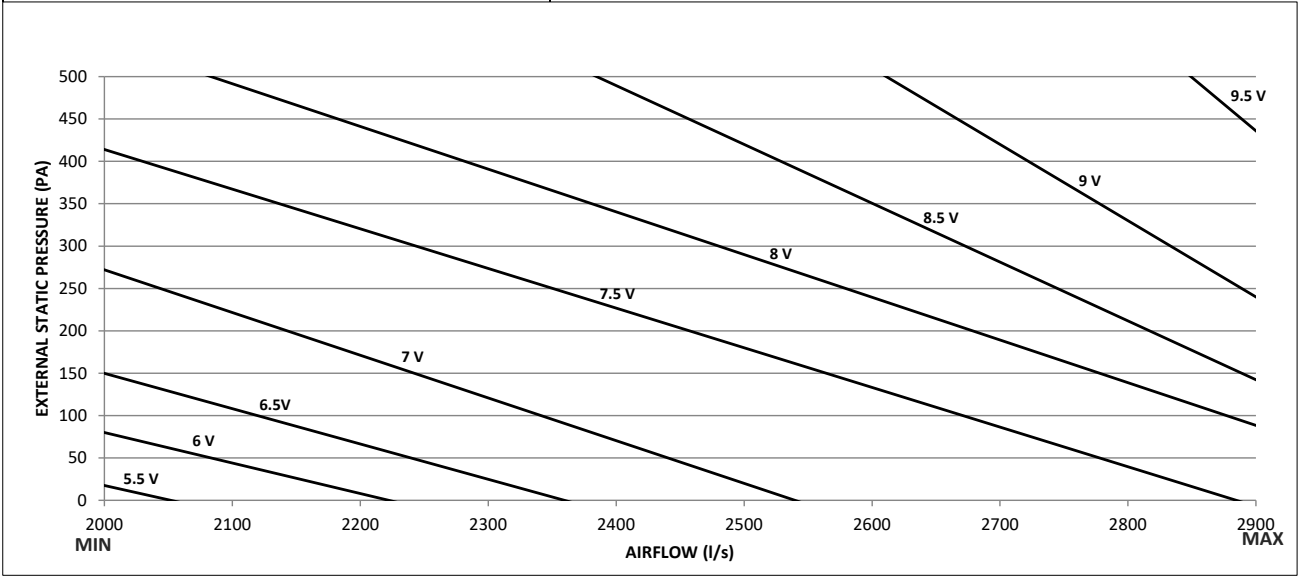
F.L.A - Full Load Amps are based on the overload settings [Max Current] of all Compressor and Fan Motor(s)

| Date | Document # | Approved By | Revision |
|---------|------------|-------------|----------|
| 30/1/23 | TDS001177 | CM | A |

NOTE: Due to continuous improvement Rinnai reserve the right to change details without notice.

FAN PERFORMANCE CURVE

S046-048ILR(C)3SA-F-S



Note:

- 4V, 4.5V, 5V, 5.5V, 6V, 6.5 V, 7V and 7.5 V represents potentiometer voltage. Potentiometer can be adjusted to achieve desired flowrates.
- Potentiometer voltage can be varied infinitely between 0 to 10V.

| Date | Document # | Approved By | Revision |
|---------|------------|-------------|----------|
| 17/5/23 | FPD001301 | CM | A |

NOTE: Due to continuous improvement Rinnai reserve the right to change details without notice.



**HIGH EFFICIENCY
SPLIT OUTDOOR / INDOOR LOW PROFILE
R410A REFRIGERANT**

SOUND DATA TABLE

MODEL NUMBER

S046-048OVR(C)3SA-L-S / S046-048ILR(C)3SA-F-S

Outdoor Fan

| Sound Power Level dB(A) | Octave band Centre Frequency (hz), dB | | | | | | |
|-------------------------|---------------------------------------|------|------|------|------|------|------|
| | 125 | 250 | 500 | 1k | 2k | 4k | 8k |
| 67.2 | 73.3 | 62.6 | 62.7 | 62.6 | 60.2 | 54.1 | 50.4 |

Indoor Fan

| Sound Power Level dB(A) | Air Flow (l/s) | Octave band Centre Frequency (hz), dB | | | | | | |
|-------------------------|----------------|---------------------------------------|------|------|------|------|------|------|
| | | 125 | 250 | 500 | 1k | 2k | 4k | 8k |
| 90.4 | 2470 | 74.2 | 79.3 | 82.3 | 85.5 | 82.3 | 84.3 | 80.8 |

| Date | Document # | Approved By | Revision |
|---------|------------|-------------|----------|
| 16/5/23 | SDT001296 | CM | A |

NOTE: Due to continuous improvement Rinnai reserve the right to change details without notice.