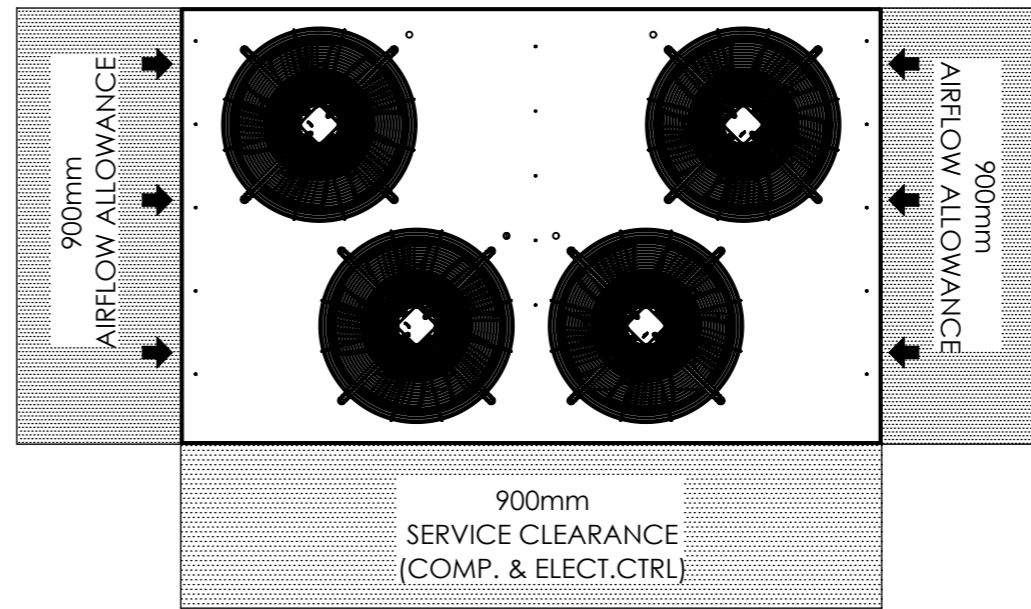
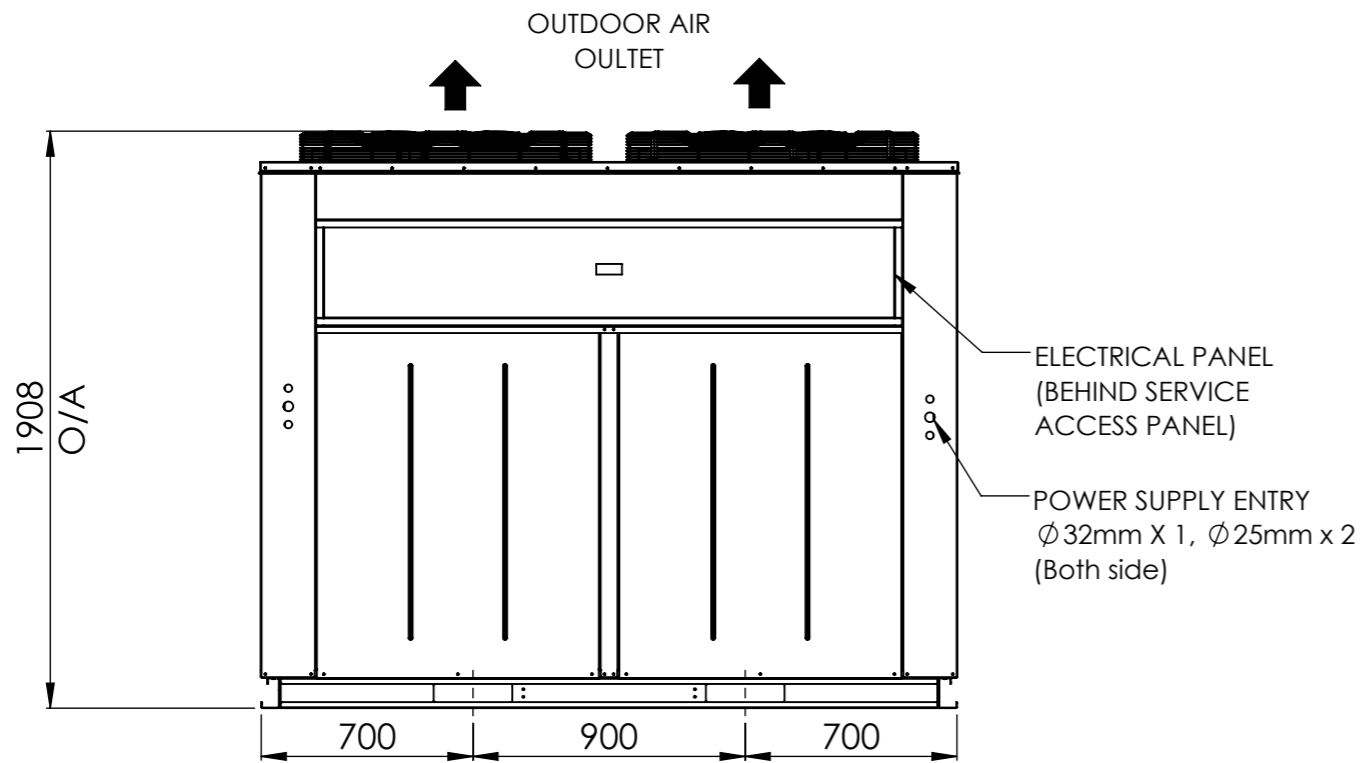


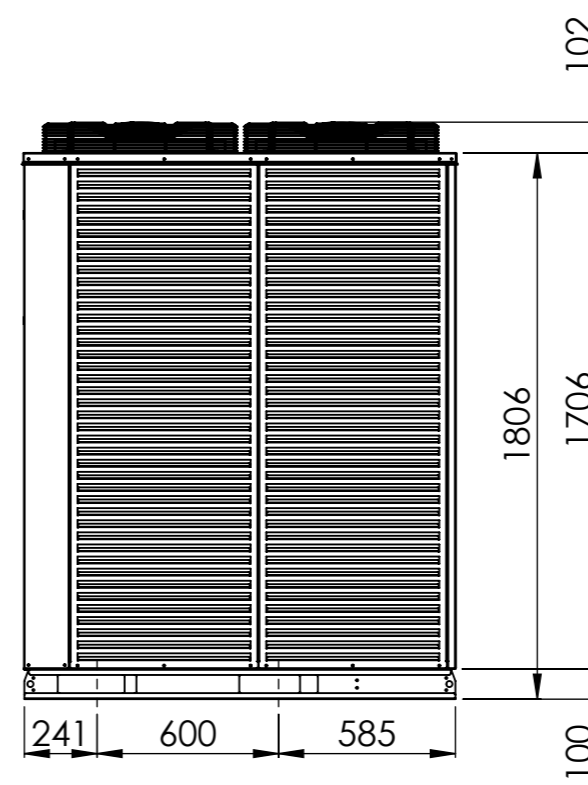
TOP VIEW



MINIMUM SERVICE ACCESS AREAS & AIRFLOW CLEARANCES



FRONT VIEW



SIDE VIEW

- NOTES:
1. OVERALL NOMINAL DIMENSION 1908(H) x 2300(W) x 1425(L).
 2. UNIT BASE 4 X Ø 16 FIXING POINTS.
 3. MINIMUM SERVICE AREAS ARE RESPONSIBILITIES OF THE INSTALLER.



TOLERANCE :
 0 < LENGTH ≤ 400 ± 1mm
 400 < LENGTH ≤ 1000 ± 2mm
 1000 < LENGTH ± 3mm ANGLE ± 1°

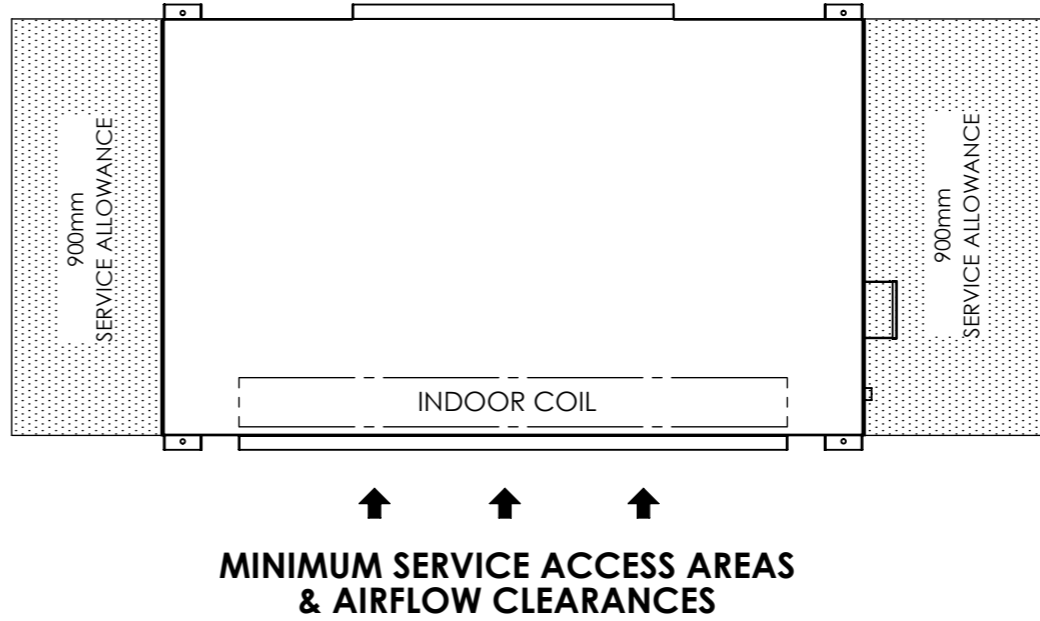
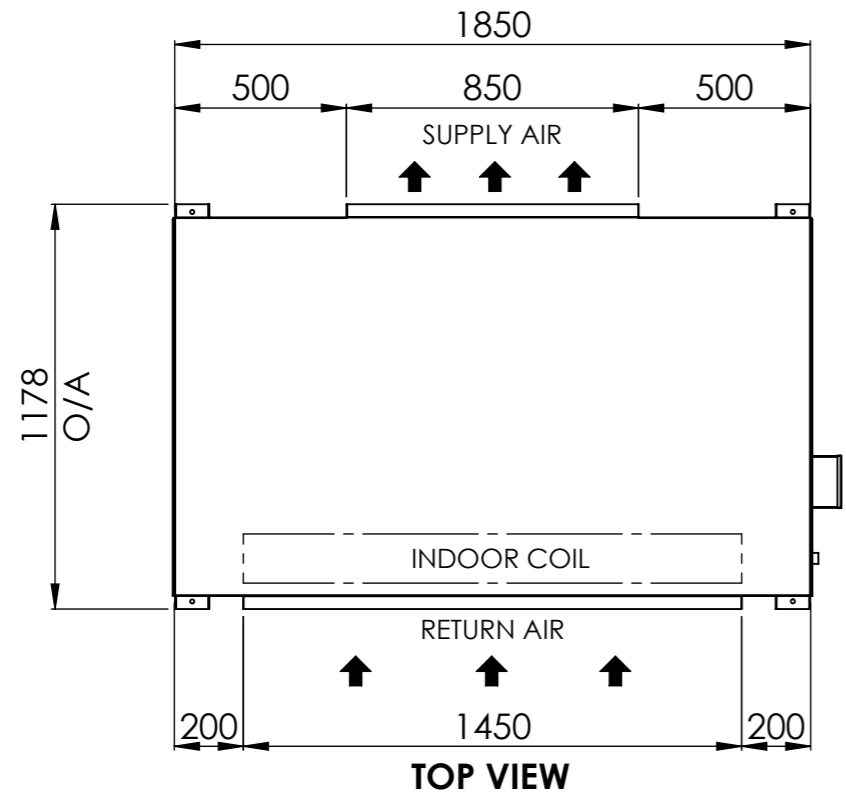
NOTE :
 LENGTHS IN MILLIMETRES AND
 ANGLES IN DEGREES UNLESS
 SPECIFIED OTHERWISE.
 THIS DRAWING IS THE PROPERTY OF
 APAC. ANY UNAUTHORISED USE IS
 FORBIDDEN.

REV	A	FIRST ISSUE	PCN	ARM	04/05/23	ZONE
REV		DESCRIPTION	PCN	BY	DATE	ZONE

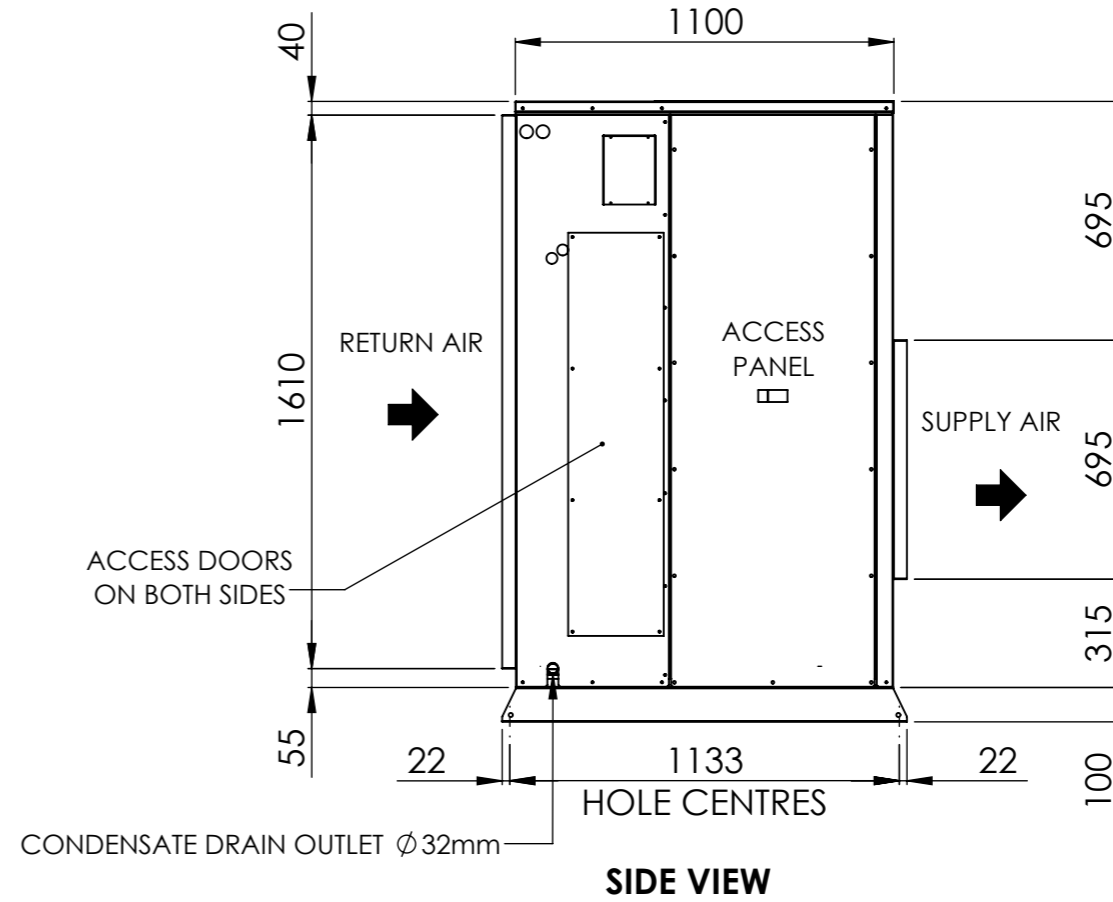
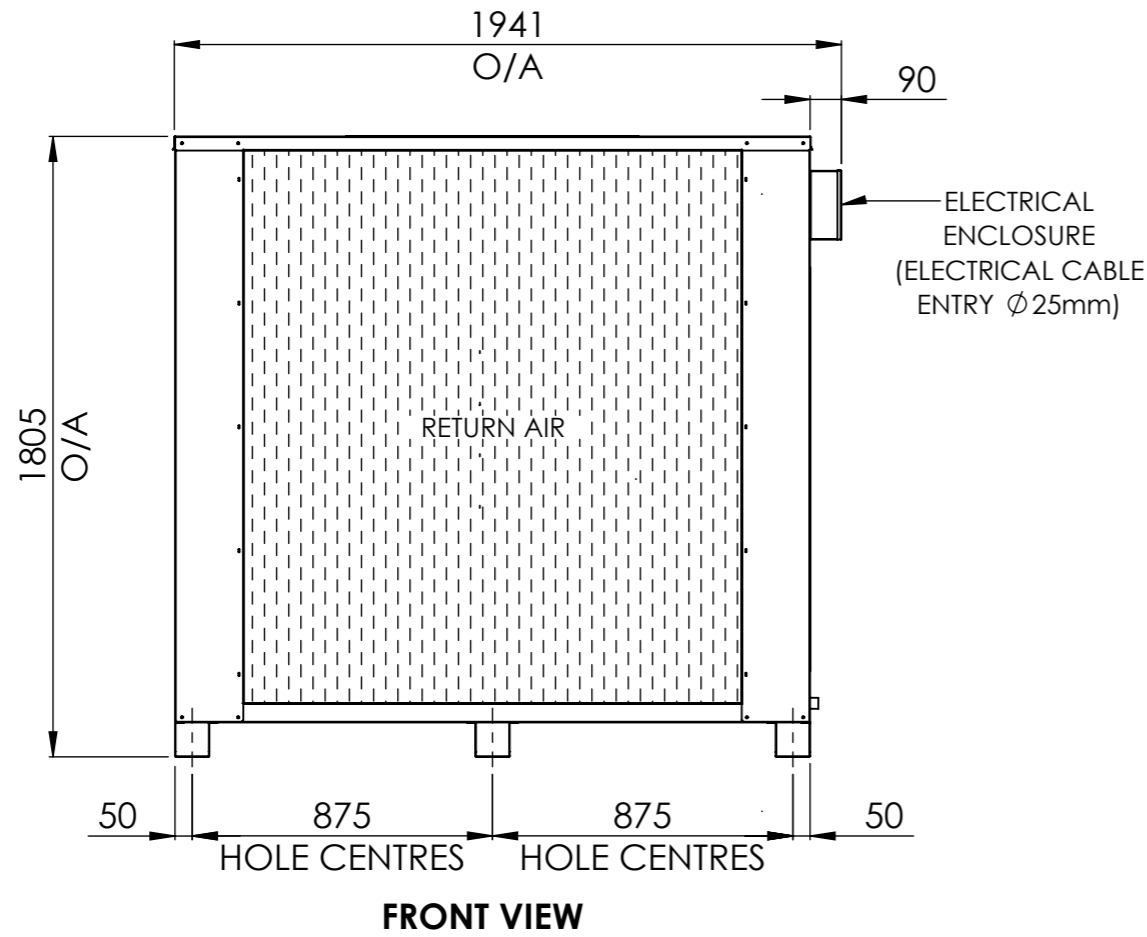
DESCRIPTION : GENERAL ARRANGEMENT, S085-095OVR3SA-L-S, S084-0920VC3SA-L-S		
MATERIAL :	THICKNESS :	FINISH :
-	-	-
DRAWN BY :	DRAWN DATE :	APPROVED BY :
ARM	11/05/23	CM

DRAWING No. :	REV :
GAD001286	A
SCALE : N.T.S	
SHEET : 1 OF 1	THIRD ANGLE PROJECTION

A3



- NOTES:
- DRAWING REFLECTS A HORIZONTAL FAN COIL UNIT
 - OVERALL NOMINAL DIMENSION 1805(H) x 1941(W) x 1178(L)
 - GAS, DRAIN & ELECTRICAL CONNECTIONS ON SAME SIDE
 - MAX. M12 FASTENERS.
 - DUCTING SPECIFICATIONS:
SUPPLY DUCT: 695(H) x 850(W)
RETURN DUCT: 1610(H) x 1450(W)
 - REFER TO INSTALLATION AND OPERATIONAL MANUAL FOR PIPE SIZING
 - MINIMUM SERVICE AREAS ARE RESPONSIBILITIES OF THE INSTALLER



TOLERANCE :
0 < LENGTH ≤ 400 ± 1mm
400 < LENGTH ≤ 1000 ± 2mm
1000 < LENGTH ± 3mm ANGLE ± 1°
DUE TO CONTINUOUS IMPROVEMENT RINNAI RESERVE THE RIGHT TO CHANGE DETAILS WITHOUT NOTICE

NOTE :
LENGTHS IN MILLIMETRES AND ANGLES IN DEGREES UNLESS SPECIFIED OTHERWISE.
THIS DRAWING IS THE PROPERTY OF APAC. ANY UNAUTHORISED USE IS FORBIDDEN.

A	FIRST ISSUE	-	HLM	11/05/23	N/A
REV	DESCRIPTION	PCN	BY	DATE	ZONE

DESCRIPTION : GENERAL ARRANGEMENT, S085-095IHR-F-S, S084-092IHC3SA-F-S		
MATERIAL :	THICKNESS :	FINISH :
-	-	-
DRAWN BY :	DRAWN DATE :	APPROVED BY :
HALIM	11/05/23	CM

DRAWING No. :	REV :
GAD001289	A
SCALE : N.T.S	
SHEET : 1 OF 1	THIRD ANGLE PROJECTION

A3

TECHNICAL DATA SHEET

MODEL NUMBER	Indoor	S055IHC3SA-F-S	S065IHC3SA-F-S	S075IHC3SA-F-S	S085IHC3SA-F-S	S095IHC3SA-F-S	
	Outdoor	S055OVC3SA-H-S	S065OVC3SA-H-S	S075OVC3SA-H-S	S085OVC3SA-H-S	S095OVC3SA-H-S	
OUTDOOR SECTION	CAPACITY						
	Cooling	kW TOTAL*	58.48	64.33	75.22	85.69	96.39
		kW SENSIBLE*	43.00	50.34	57.19	64.99	72.67
		EER (kW / ikW)*	3.20	3.13	3.42	3.38	3.14
	CAPACITY STEPS (%)		0/50/100	0/50/100	0/50/100	0/50/100	0/50/100
	COMPRESSOR						
	TYPE		SCROLL	SCROLL	SCROLL	SCROLL	SCROLL
	STARTER TYPE		D.O.L (Opt Soft/Start)	D.O.L (Opt Soft/Start)	D.O.L (Opt Soft/Start)	D.O.L (Opt Soft/Start)	D.O.L (Opt Soft/Start)
	PHASE		3∅	3∅	3∅	3∅	3∅
	No. OFF		2	2	2	2	2
	PROTECTION DEVICES						
	HP SWITCH, LP SWITCH, INTERNAL THERMAL CUTOUT						
	ALL COMPRESSORS HAVE						
	SUMP HEATER						
	FAN						
	TYPE		AXIAL	AXIAL	AXIAL	AXIAL	AXIAL
	ikW (MAX INPUT)		0.39	0.39	0.39	0.39	0.39
	PHASE		1∅	1∅	1∅	1∅	1∅
	No. OFF		4	4	4	4	4
	FAN SPEED CONTROL		2 SPEED VIA	2 SPEED VIA	2 SPEED VIA	2 SPEED VIA	2 SPEED VIA
	HEAT EXCHANGER						
	TYPE		ALU / CU COIL	ALU / CU COIL	ALU / CU COIL	ALU / CU COIL	ALU / CU COIL
	NOM. AIRFLOW l/s		-	-	-	-	-
	REFRIGERANT SYSTEM						
	TYPE		R410A				
	FACTORY CHARGE PER CIRCUIT (KG)		5.75	6.75	9.5	11	10.8
	No. OF CIRCUITS		2	2	2	2	2
	REFRIGERANT CONTROL		TXV				
	DIMENSIONS						
	H X W X D (mm)		1400 x 2300 x 1425	1603 x 2300 x 1425		1806 x 2300 x 1425	
	WEIGHT						
	OPERATING KG		527	612	647	738	740
	SHIPPING KG		577	662	697	788	790
	ELECTRICAL						
	POWER SUPPLY		415v / 3∅ / 50hz				
FLA / RLA (Amps)		49.1 / 34.1	51.1 / 39.9	57.1 / 41.0	69.1 / 44.7	75.1 / 56.8	
INDOOR SECTION	FAN						
	TYPE		EC PLUG	EC PLUG	EC PLUG	EC PLUG	EC PLUG
	ikW (MAX INPUT)		3.35	1.32	1.32	3.35	3.35
	PHASE		3∅	3∅	3∅	3∅	3∅
	No. OFF		1	2	2	2	2
	FAN SPEED CONTROL		VARIABLE SPEED	VARIABLE SPEED	VARIABLE SPEED	VARIABLE SPEED	VARIABLE SPEED
	HEAT EXCHANGER						
	TYPE		ALU / CU COIL	ALU / CU COIL	ALU / CU COIL	ALU / CU COIL	ALU / CU COIL
	NOM. AIRFLOW l/s		2880	3550	3750	4400	4930
	EXT STATIC pa		100				
	DIMENSIONS						
	H X W X D (mm)		1400 x 1600 x 1100	1605 x 1600 x 1100		1805 x 1850 x 1100	
	WEIGHT						
	OPERATING KG		290	340	340	461	461
	SHIPPING KG		295	345	345	466	466
ELECTRICAL							
POWER SUPPLY		415v / 3∅ / 50hz					
FLA / RLA (Amps)		5.2 / 2.4	4.2 / 1.9	4.2 / 1.9	10.4 / 2.5	10.4 / 3.1	
COMBINED SECTIONS	ELECTRICAL						
	H.P. CUT OUT / IN kPa		4500 / 3450	4500 / 3450	4500 / 3450	4500 / 3450	4500 / 3450
	L.P. CUT OUT / IN kPa		175 / 345	175 / 345	175 / 345	175 / 345	175 / 345
	NOM. R.L.A. (TOTAL SYSTEM)		36.51	41.80	42.84	47.12	59.84
	MAX. F.L.A. (TOTAL SYSTEM)		54.32	55.32	61.32	79.52	85.52
	GENERAL						
	CABINET		GALVANISED SHEET STEEL				
	INSULATION		25MM ALUMINIUM FOIL FACED POLYETHYLENE ACOUSTIC INSULATION				
	EXTERNAL FINISH		POLYESTER POWDER COAT (OUTDOOR SECTION) - COLOUR LIGHT GREY AS STANDARD - OPTIONS AVAILABLE NO COATING FOR INDOOR SECTION				
	INDOOR AND OUTDOOR PIPE CONNECTION						
LIQUID mm (inch)		12.7 (1/2")	12.7 (1/2")	12.7 (1/2")	15.9 (5/8")	15.9 (5/8")	
GAS mm (inch)		28.6 (1-1/8")	28.6 (1-1/8")	28.6 (1-1/8")	28.6 (1-1/8")	28.6 (1-1/8")	
ADDITIONAL REFRIGERATION CHARGE AND FIELD PIPING CONNECTIONS							
REFER TO INSTALLATION AND OPERATION MANUAL							
NOISE LEVELS [Based on condenser fan's sound data]							
SOUND POWER db(A)		66.8	70.3	69.5	70	70	

Note: Rated in accordance with AHRI 210/240 or 340/360

Performance excludes ikW of indoor fan motor

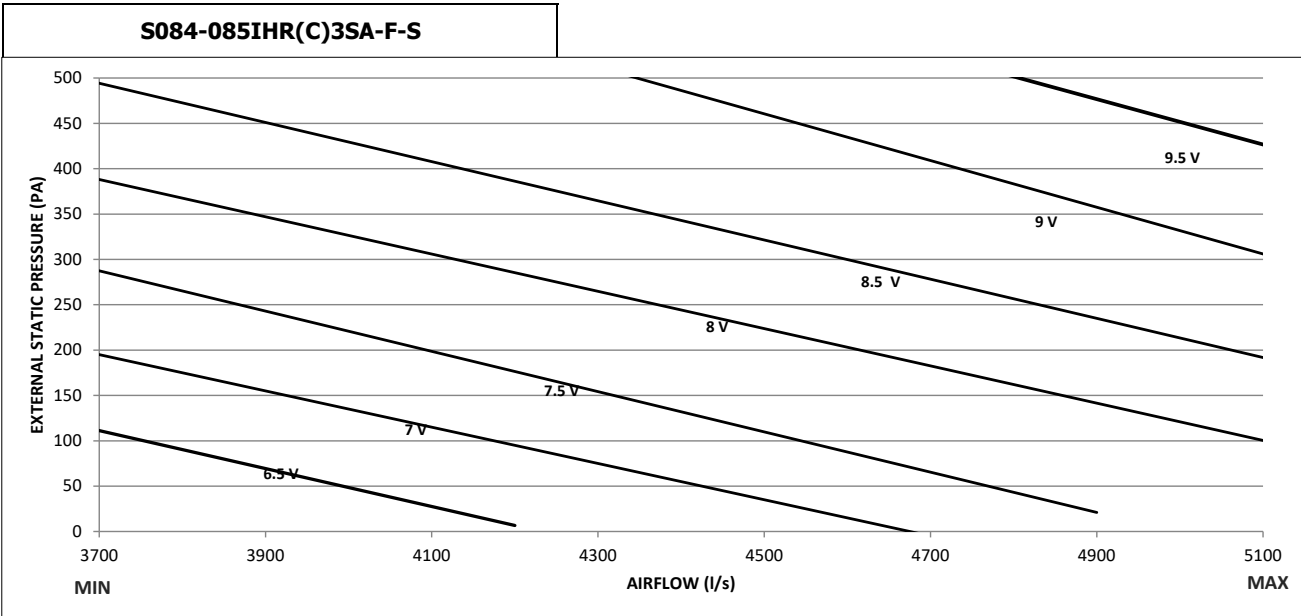
R.L.A - Run Load Amps are based on current drawn at nominal conditions

F.L.A - Full Load Amps are based on the overload settings [Max Current] of all Compressor and Fan Motor(s)

Date	Document #	Approved By	Revision
26/3/23	TDS001398	CM	A

NOTE: Due to continuous improvement Rinnai reserve the right to change details without notice.

FAN PERFORMANCE CURVE



- Note:
1. 6.5 V, 7V, 7.5V, 8V, 8.5V, 9V and 9.5V represents potentiometer voltage. Potentiometer can be adjusted to achieve desired flowrates.
 2. Potentiometer voltage can be varied infinitely between 0 to 10V.

Date	Document #	Approved By	Revision
18/5/23	FPD001347	CM	A

NOTE: Due to continuous improvement Rinnai reserve the right to change details without notice.



**HIGH EFFICIENCY
SPLIT OUTDOOR / INDOOR HORIZONTAL
R410A REFRIGERANT**

SOUND DATA TABLE

MODEL NUMBER

S084-085OVR(C)3SA-H-S / S084-085IHR(C)3SA-F-S

Outdoor Fan

Sound Power Level dB(A)	Octave band Centre Frequency (hz), dB						
	125	250	500	1k	2k	4k	8k
70	76	65.3	65.4	65.4	63	56.7	53.2

Indoor Fan

Sound Power Level dB(A)	Air Flow (l/s)	Octave band Centre Frequency (hz), dB						
		125	250	500	1k	2k	4k	8k
81.6	2200	74.1	71.5	73.2	73.8	76.7	75.4	63.9

Date	Document #	Approved By	Revision
16/5/23	SDT001329	CM	A

NOTE: Due to continuous improvement Rinnai reserve the right to change details without notice.